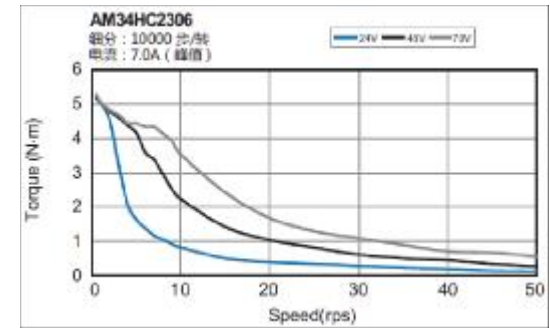
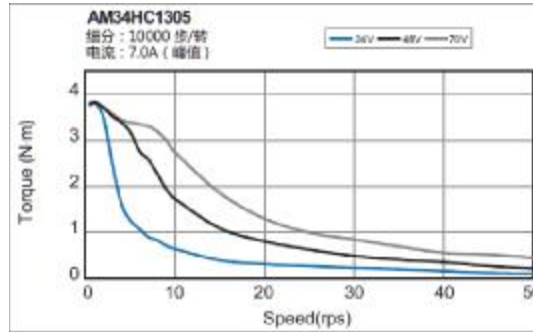
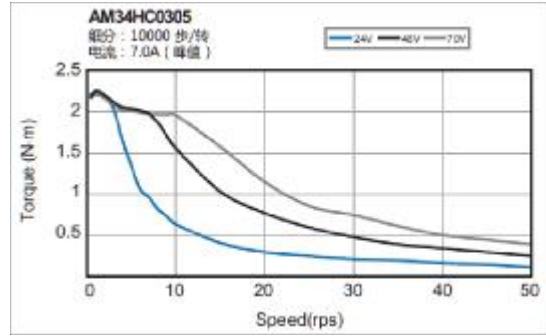
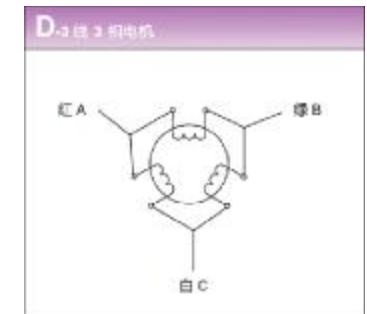


型号	长度(L)
AM34HC0305-01	66.5
AM34HC1305-01	96
AM34HC2306-01	125.5

F			Unit: mm 第一角画法 FIRST ANGLE METHOD 未注线性与角度尺寸公差 Tolerances for linear and angular dimensions without individual tolerance indications GB/T 1804-m eqv ISO 2768-1:m 未注形状与位置尺寸公差 Geometrical tolerance for features without individual tolerance indications GB/T 1184-K eqv ISO 2768-2:K	批准 Approve			MOONS' Hybrid Stepping Motor SHANGHAI AMP & MOONS' AUTOMATION CO.,LTD This document is released for information only. Its reproduction in whole or in part or its dissemination to third parties is prohibited. All trademarks and registered trademarks appearing on this document are the property of their respective owners.	
				标准化 Standard				
				工艺 Technology				
				审核 Check				
				设计 Design				
REV.	版本记录 REVISION RECORD	DATE	UNLESS OTHERWISE SPECIFIED	NAMES	SIGNATURE	DATE	SCALE 1:2 Sheet 1 of 1	



匹配驱动	产品系列	产品名称		步距角 (°)	安装尺寸	长度	静力矩	电流	转子惯量	重量	出线数	出轴形式
		系列代号	产品型号									
3SR/3ST	NEMA34	AM34HC	AM34HC0305-01	1.2	86	66.5	2.5	7	1100	1.6	3	单出轴
			AM34HC1305-01			96	4		1850	2.7	3	单出轴
			AM34HC2306-01			125.5	5.5		2750	3.8	3	单出轴



			Unit: mm 第一角画法 FIRST ANGLE METHOD 未注线性与角度尺寸公差 Tolerances for linear and angular dimensions without individual tolerance indications GB/T 1804-m eqv ISO 2768-1:m 未注形状与位置尺寸公差 Geometrical tolerance for features without individual tolerance indications GB/T 1184-K eqv ISO 2768-2:K	批准 Approve			MOONS' Hybrid Stepping Motor SHANGHAI AMP & MOONS' AUTOMATION CO.,LTD This document is released for information only. Its reproduction in whole or in part or its dissemination to third parties is prohibited. All trademarks and registered trademarks appearing on this document are the property of their respective owners.
				标准化 Standard			
				工艺 Technology			
				审核 Check			
REV.	版本记录 REVISION RECORD	DATE	UNLESS OTHERWISE SPECIFIED	NAMES	SIGNATURE	DATE	SCALE 1:2 Sheet 1 of 1

A

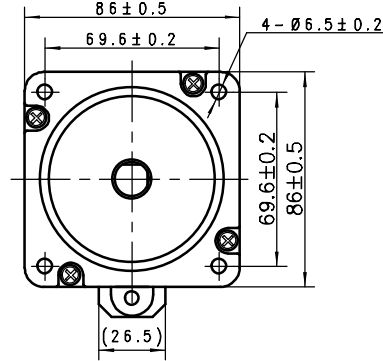
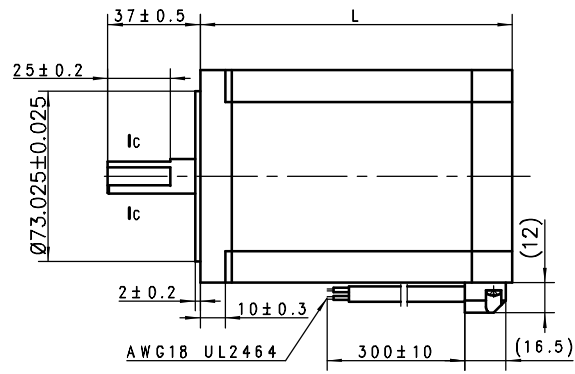
B

C

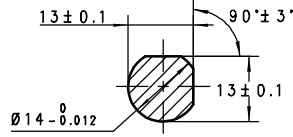
D

E

F

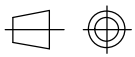


C-C
1:1



型号	长度 (L)
AM34HC0306-01	66.5
AM34HC1306-01	96
AM34HC2307-01	125.5

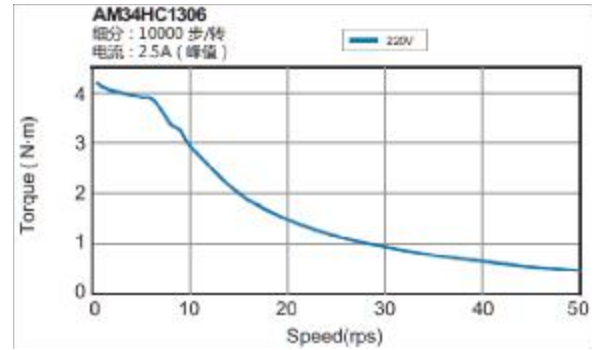
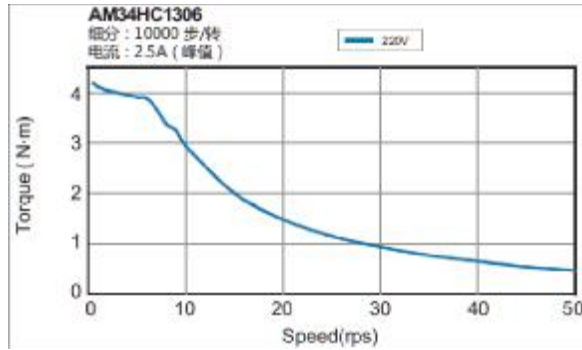
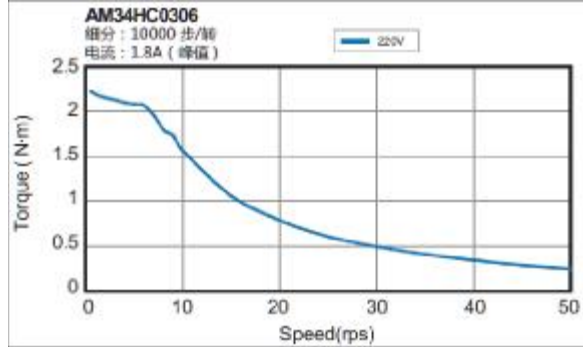
Unit: mm
第一角画法
 FIRST ANGLE METHOD
 未注线性与角度尺寸公差
 Tolerances for linear and angular dimensions without individual tolerance indications
 GB/T 1804-m eqv ISO 2768-1:m
 未注形状与位置尺寸公差
 Geometrical tolerances for features without individual tolerance indications
 GB/T 1184-K eqv ISO 2768-2:K



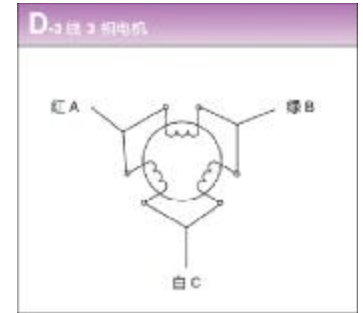
批准 Approve
 标准化 Standard
 工艺 Technology
 审核 Check
 设计 Design

MOONS' Hybrid Stepping Motor
 SHANGHAI AMP & MOONS' AUTOMATION CO.,LTD
 This document is released for information only. Its reproduction in whole or in part or its dissemination to third parties is prohibited. All trademarks and registered trademarks appearing on this document are the property of their respective owners.

REV.	版本记录 REVISION RECORD	DATE	UNLESS OTHERWISE SPECIFIED	NAMES	SIGNATURE	DATE	SCALE 1:2	Sheet 1 of 1

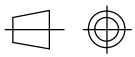


匹配驱动	产品系列	产品名称		步距角 (°)	安装尺寸	长度	静力矩	电流	转子惯量	重量	出线数	出轴形式
		系列代号	产品型号									
3SRAC/3STAC	NEMA34	AM34HC	AM34HC0306-01	1.2	86	66.5	2.5	2	1100	1.6	3	单出轴
			AM34HC1306-01			96	4					
			AM34HC2307-01			125.5	5.5					



REV.	版本记录 REVISION RECORD	DATE	UNLESS OTHERWISE SPECIFIED	NAMES	SIGNATURE	DATE	SCALE 1:2	Sheet 1 of 1
1	原始版本 Original revision							

Unit: mm
 第一角画法
 FIRST ANGLE METHOD
 未注线性与角度尺寸公差
 Tolerances for linear and angular dimensions without individual tolerance indications
 GB/T 1804-m eqv ISO 2768-1:m
 未注形状与位置尺寸公差
 Geometrical tolerances for features without individual tolerance indications
 GB/T 1184-K eqv ISO 2768-2:K



批准 Approve
 标准化 Standard
 工艺 Technology
 审核 Check
 设计 Design

MOONS' Hybrid Stepping Motor
 SHANGHAI AMP & MOONS' AUTOMATION CO.,LTD
 This document is released for information only. Its reproduction in whole or in part or its dissemination to third parties is prohibited. All trademarks and registered trademarks appearing on this document are the property of their respective owners.