

1      2      3      4      5      6      7      8

A

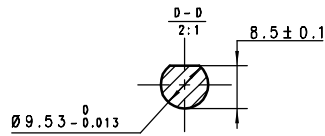
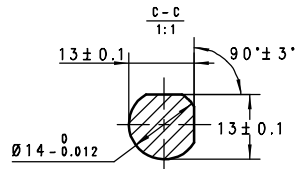
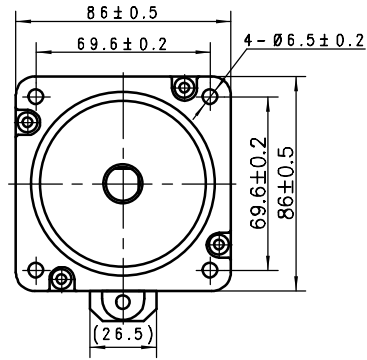
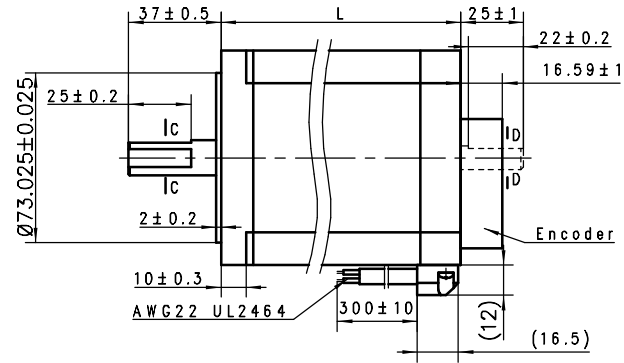
B

C

D

E

F



型号	长度 (L)
AM34HD0404-E1000D	66.5
AM34HD1404-E1000D	96
AM34HD2403-E1000D	125.5

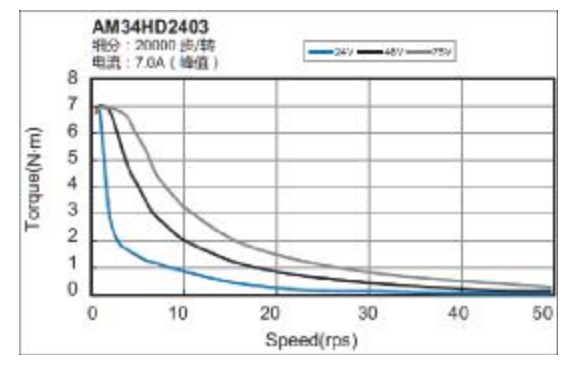
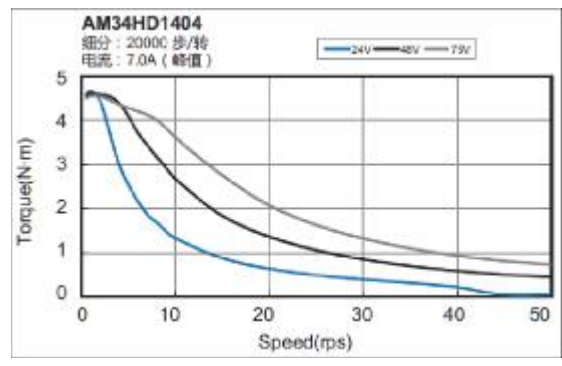
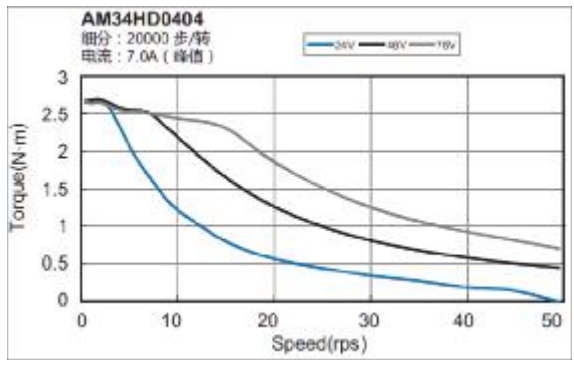
Unit: mm  
**第一角画法**  
 FIRST ANGLE METHOD  
 未注线性与角度尺寸公差  
 Tolerances for linear and angular dimensions without individual tolerance indications  
 GB/T 1804-m eqv ISO 2768-1:m  
 未注形状与位置尺寸公差  
 Geometrical tolerance for features without individual tolerance indications  
 GB/T 1184-K eqv ISO 2768-2:K

批准 Approve  
 标准化 Standard  
 工艺 Technology  
 审核 Check  
 设计 Design

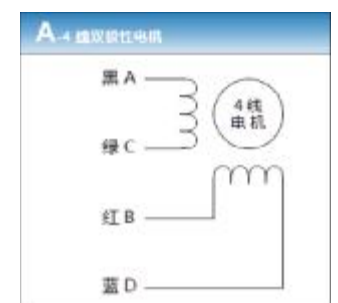
**MOONS'** Hybrid Stepping Motor  
 SHANGHAI AMP & MOONS' AUTOMATION CO.,LTD  
 This document is released for information only. Its reproduction in whole or in part or its dissemination to third parties is prohibited. All trademarks and registered trademarks appearing on this document are the property of their respective owners.

REV.	版本记录 REVISION RECORD	DATE	UNLESS OTHERWISE SPECIFIED	NAMES	SIGNATURE	DATE	SCALE 1:2 Sheet 1 of 1
------	----------------------	------	----------------------------	-------	-----------	------	------------------------

1      2      3      4      5      6      7      8



匹配驱动	产品系列	产品名称		步距角 (°)	安装尺寸 (mm)	长度	静力矩 (N.m)	电流 (A)	转子惯量 (g.cm <sup>2</sup> )	重量 (Kg)	出线数	出轴形式
		系列代号	产品型号									
SR/ST	NEMA34	AM34HD	AM34HD0404-E1000D	1.8	86	66.5	3	7	1100	1.6	4	单出轴
			AM34HD1404-E1000D			96	5		1850	2.7	4	单出轴
			AM34HD2403-E1000D			125.5	7.1		2750	3.8	4	单出轴



REV.		版本记录 REVISION RECORD		DATE	UNLESS OTHERWISE SPECIFIED	NAMES	SIGNATURE	DATE	MOONS' Hybrid Stepping Motor	
原始版本 Original revision									SHANGHAI AMP & MOONS' AUTOMATION CO.,LTD	
									This document is released for information only. Its reproduction in whole or in part or its dissemination to third parties is prohibited. All trademarks and registered trademarks appearing on this document are the property of their respective owners.	
									SCALE 1:2 Sheet 1 of 1	

A

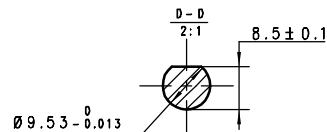
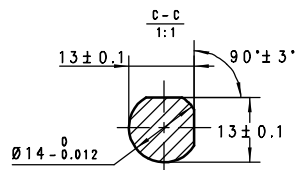
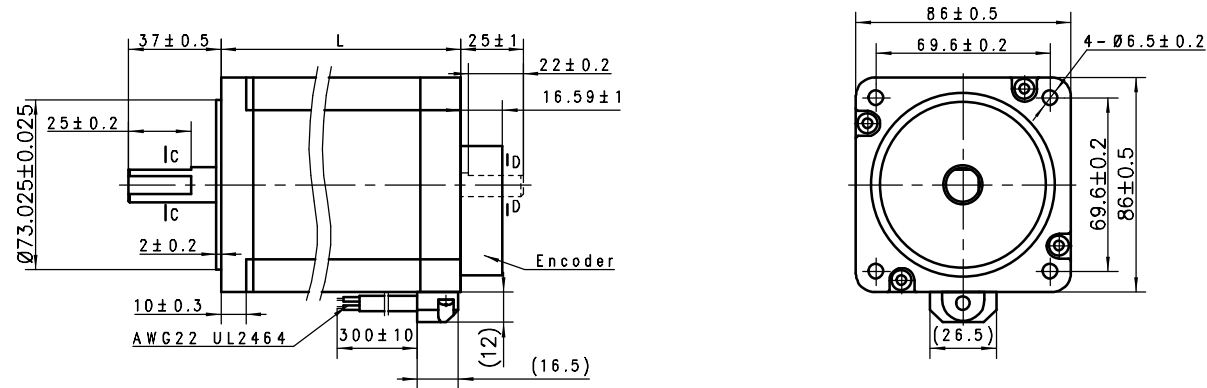
B

C

D

E

F



型号	长度 (L)
AM34HD0802-E1000D	66.5
AM34HD1802-E1000D	96
AM34HD2805-E1000D	125.5

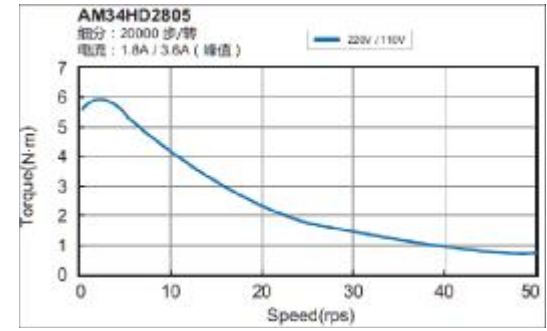
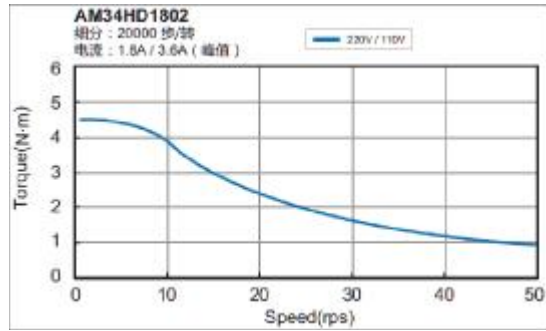
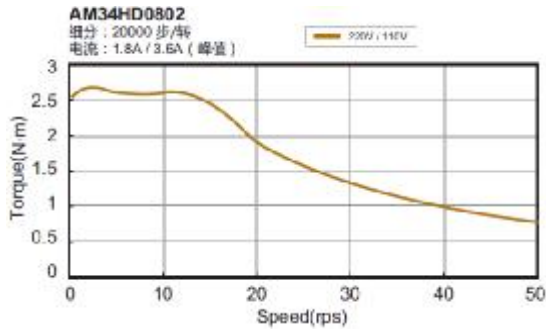
Unit: mm  
 第一角画法  
 FIRST ANGLE METHOD  
 未注线性与角度尺寸公差  
 Tolerances for linear and angular dimensions without individual tolerance indications  
 GB/T 1804-m eqv ISO 2768-1:m  
 未注形状与位置尺寸公差  
 Geometrical tolerance for features without individual tolerance indications  
 GB/T 1184-K eqv ISO 2768-2:K

批准 Approve  
 标准化 Standard  
 工艺 Technology  
 审核 Check  
 设计 Design

**MOONS'** Hybrid Stepping Motor  
 SHANGHAI AMP & MOONS' AUTOMATION CO.,LTD  
 This document is released for information only. Its reproduction in whole or in part or its dissemination to third parties is prohibited. All trademarks and registered trademarks appearing on this document are the property of their respective owners.

REV.	版本记录 REVISION RECORD	DATE	UNLESS OTHERWISE SPECIFIED	NAMES	SIGNATURE	DATE	SCALE 1:2 Sheet 1 of 1
------	----------------------	------	----------------------------	-------	-----------	------	------------------------

A



A

B

B

C

C

D

D

匹配驱动	产品系列	产品名称		步距角 (°)	安装尺寸 (mm)	长度	静力矩 (N·m)	电流 (A)	转子惯量 (g·cm <sup>2</sup> )	重量 (Kg)	出线数	出轴形式
		系列代号	产品型号									
SRAC/STAC	NEMA34	AM34HD	AM34HD0802-E1000D	1.8	86	66.5	3	1.8	1100	1.6	8	单出轴
			AM34HD1802-E1000D			96	5		1850	2.7	8	单出轴
			AM34HD2805-E1000D			125.5	7.1		2750	3.8	8	单出轴

C-8 线双极性-串联



E

E

F

F

Unit: mm		批准 Approve	 Hybrid Stepping Motor				
第一角画法 FIRST ANGLE METHOD		标准化 Standard					
未注线性与角度尺寸公差 Tolerances for linear and angular dimensions without individual tolerance indications GB/T 1804-m eqv ISO 2768-1:m		工艺 Technology					
未注形状与位置尺寸公差 Geometrical tolerance for features without individual tolerance indications GB/T 1184-K eqv ISO 2768-2:K		审核 Check					
原始版本 Original revision		设计 Design					
REV.	版本记录 REVISION RECORD	DATE	UNLESS OTHERWISE SPECIFIED	NAMES	SIGNATURE	DATE	SCALE 1:2 Sheet 1 of 1