

A

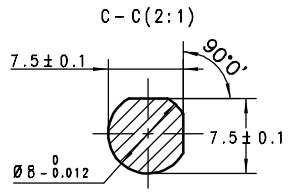
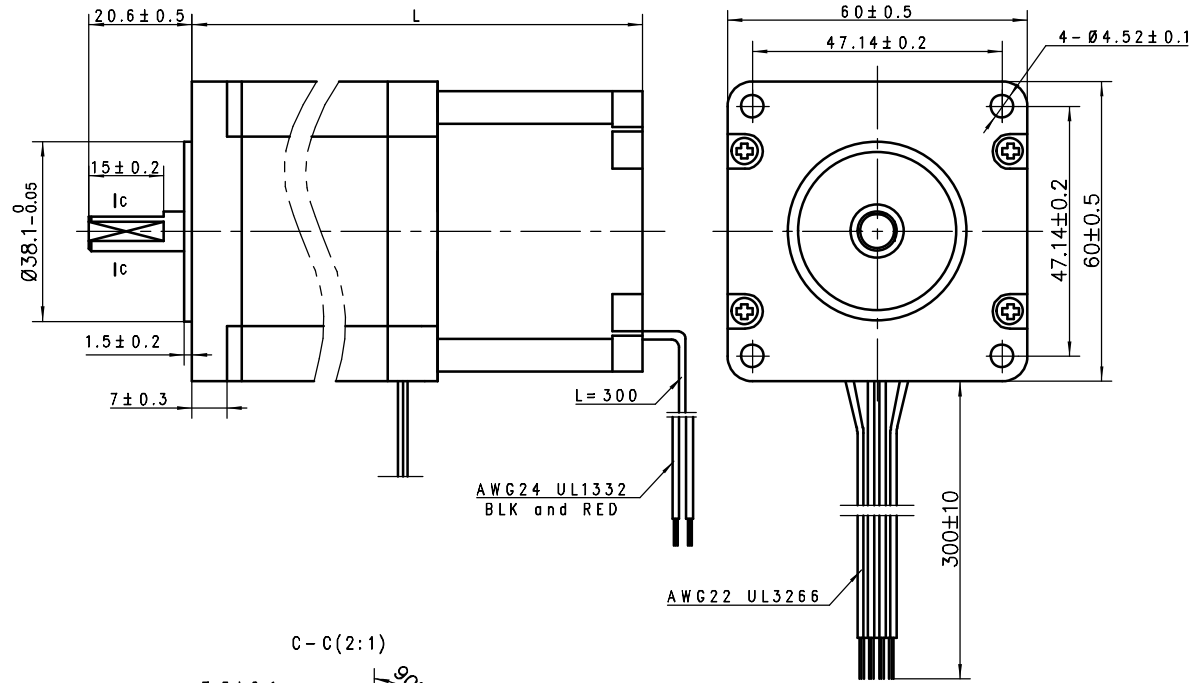
B

C

D

E

F



型号	长度 (L)
AM24HS2402-BR01	95
AM24HS5401-BR01	126

Unit: mm
 第一角画法
 FIRST ANGLE METHOD
 未注线性与角度尺寸公差
 Tolerances for linear and angular dimensions without individual tolerance indications
 GB/T 1804-m eqv ISO 2768-1:m
 未注形状与位置尺寸公差
 Geometrical tolerances for features without individual tolerance indications
 GB/T 1184-K eqv ISO 2768-2:K

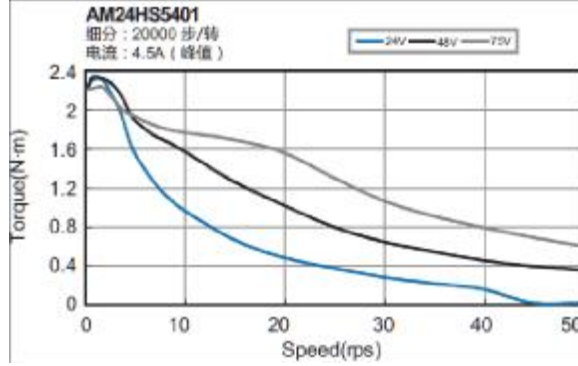
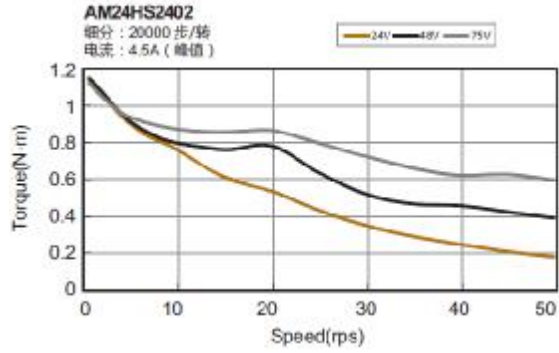
批准 Approve	
标准化 Standard	
工艺 Technology	
审核 Check	
设计 Design	

MOONS' Hybrid Stepping Motor

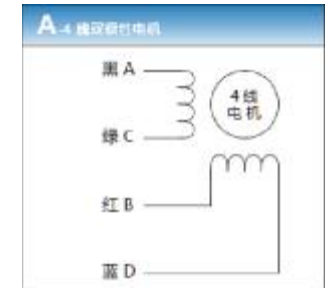
SHANGHAI AMP & MOONS' AUTOMATION CO.,LTD

This document is released for information only. Its reproduction in whole or in part or its dissemination to third parties is prohibited. All trademarks and registered trademarks appearing on this document are the property of their respective owners.

REV.	版本记录 REVISION RECORD	DATE	UNLESS OTHERWISE SPECIFIED	NAMES	SIGNATURE	DATE	SCALE 1:1	Sheet 1 of 1
------	----------------------	------	----------------------------	-------	-----------	------	-----------	--------------



匹配驱动	产品系列	产品名称		步距角 (°)	安装尺寸 (mm)	长度	静力矩 (N.m)	电流 (A)	转子惯量 (g.cm ²)	重量 (Kg)	出线数	出轴形式
		系列代号	产品型号									
SR/ST	NEMA24	AM24HS	AM24HS2402-BR01	1.8	60	95	1.2	4.5	450	1.03	4+2	单出轴
			AM24HS5401-BR01			126	2.5		900			



			Unit: mm 第一角画法 FIRST ANGLE METHOD 未注线性与角度尺寸公差 Tolerances for linear and angular dimensions without individual tolerance indications GB/T 1804-m eqv ISO 2768-1:m 未注形状与位置尺寸公差 Geometrical tolerance for features without individual tolerance indications GB/T 1184-K eqv ISO 2768-2:K	批准 Approve			MOONS' Hybrid Stepping Motor SHANGHAI AMP & MOONS' AUTOMATION CO.,LTD This document is released for information only. Its reproduction in whole or in part or its dissemination to third parties is prohibited. All trademarks and registered trademarks appearing on this document are the property of their respective owners.
				标准化 Standard			
				工艺 Technology			
				审核 Check			
				设计 Design			
REV.	版本记录 REVISION RECORD	DATE	UNLESS OTHERWISE SPECIFIED	NAMES	SIGNATURE	DATE	SCALE 1:1 Sheet 1 of 1

1 2 3 4 5 6 7 8

A

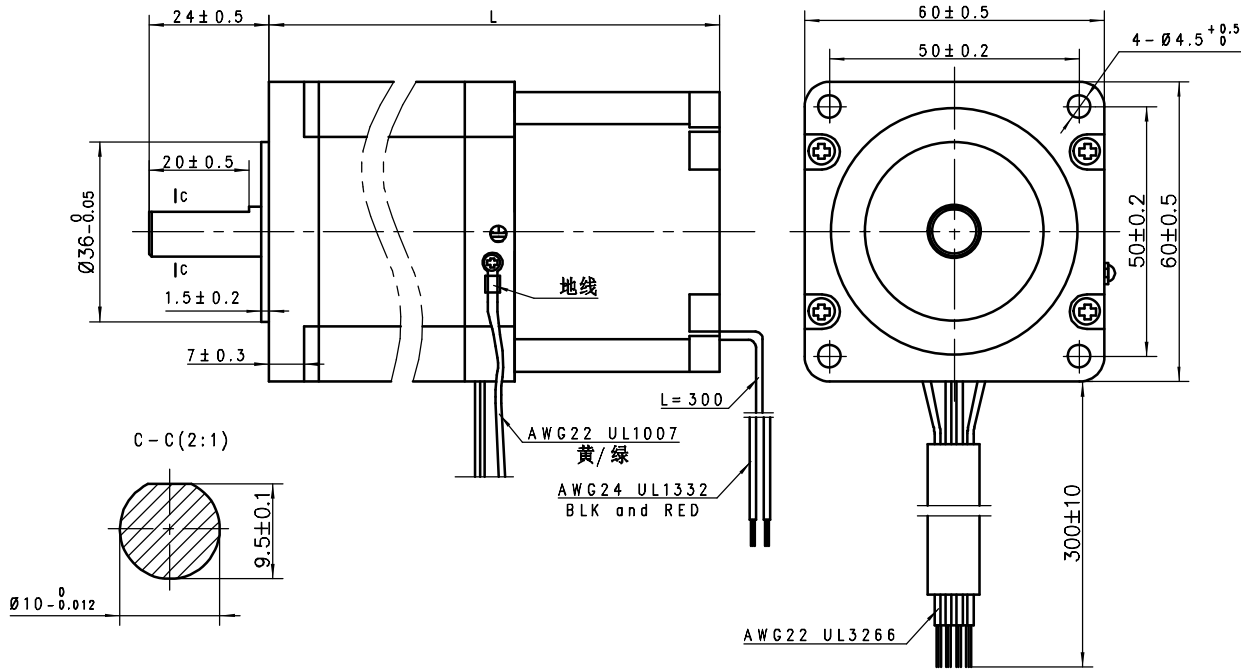
B

C

D

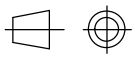
E

F



型号	长度 (L)
AM24HS5411-BR01	126

Unit: mm
 第一角画法
 FIRST ANGLE METHOD
 未注线性与角度尺寸公差
 Tolerances for linear and angular dimensions without individual tolerance indications
 GB/T 1804-m eqv ISO 2768-1:m
 未注形状与位置尺寸公差
 Geometrical tolerances for features without individual tolerance indications
 GB/T 1184-K eqv ISO 2768-2:K

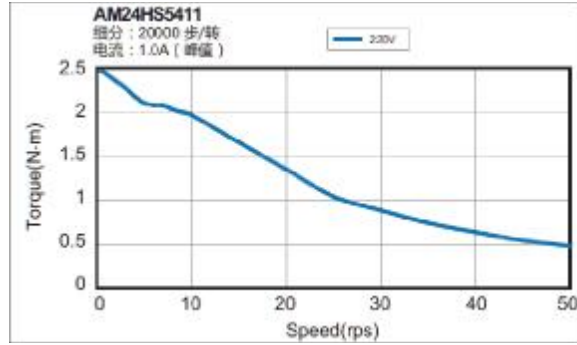


批准 Approve
 标准化 Standard
 工艺 Technology
 审核 Check
 设计 Design

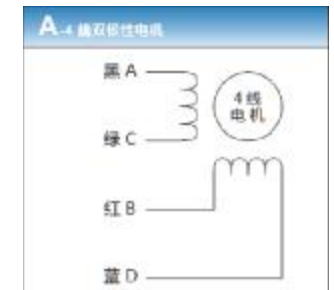
MOONS' Hybrid Stepping Motor
 SHANGHAI AMP & MOONS' AUTOMATION CO.,LTD
 This document is released for information only. Its reproduction in whole or in part or its dissemination to third parties is prohibited. All trademarks and registered trademarks appearing on this document are the property of their respective owners.

REV.	版本记录 REVISION RECORD	DATE	UNLESS OTHERWISE SPECIFIED	NAMES	SIGNATURE	DATE	SCALE 1:1	Sheet 1 of 1
------	----------------------	------	----------------------------	-------	-----------	------	-----------	--------------

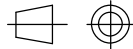
1 2 3 4 5 6 7 8



匹配驱动	产品系列	产品名称		步距角 (°)	安装尺寸 (mm)	长度	静力矩 (N·m)	电流 (A)	转子惯量 (g·cm ²)	重量 (Kg)	出线数	出轴形式
		系列代号	产品型号									
SR/ST	NEMA24	AM24HS	AM24HS5411-BR01 (高压型)	1.8	60	126	2.5	1.8	900	1.6	4+2	单出轴



Unit: mm
 第一角画法
 FIRST ANGLE METHOD
 未注线性与角度尺寸公差
 Tolerances for linear and angular dimensions without individual tolerance indications
 GB/T 1804-m eqv ISO 2768-1:m
 未注形状与位置尺寸公差
 Geometrical tolerances for features without individual tolerance indications
 GB/T 1184-K eqv ISO 2768-2:K



批准 Approve	
标准化 Standard	
工艺 Technology	
审核 Check	
设计 Design	

MOONS'

Hybrid Stepping Motor

SHANGHAI AMP & MOONS' AUTOMATION CO.,LTD

This document is released for information only. Its reproduction in whole or in part or its dissemination to third parties is prohibited. All trademarks and registered trademarks appearing on this document are the property of their respective owners.

REV.	版本记录 REVISION RECORD	DATE	UNLESS OTHERWISE SPECIFIED	NAMES	SIGNATURE	DATE	SCALE 1:1	Sheet 1 of 1
------	----------------------	------	----------------------------	-------	-----------	------	-----------	--------------

1

2

3

4

5

6

7

8